



VIBRATION MOTOR

MADE BY RHEWUM®

POWER SUPPLY:

Voltage: 115 V to 690 V (three-phase)
Power frequency: 50 Hz & 60 Hz
Number of poles: 4 / 6 / 8

IP-Code:

IP66 following IEC529, EN 60529

ALLOWABLE AMBIENT TEMPERATURE:

- 20 °C to + 40 °C
Higher temperatures are possible on request with LL models

INSULATION CLASS:

Standard: Class F (up to 155°C)

TROPICAL INSULATION:

Standard

COLOUR COATING:

Base 2K WB Epoxyprimer (100µm)
Top coat 2K WB Topcoat RAL 7016 (60µm)
Total thickness of coat: 160µm
Special colors available on request!

- For improved heat dissipation, the robust cast case is equipped with enlarged cooling ribs.
- The covers are standard-made of deep drawn stainless steel (1.4301) and sealed with inset O-rings.
- The interior of the motor is protected from humidity and dust by a grease gap sealing, towards the outside the bearings are insulated by a grease gap sealing behind a prefixed axial shaft sealing ring.
- A complete double coating with special resin protects the winding against mechanical vibrations.
- The motor can easily be operated with a frequency converter, as the winding features phase insulation.

SIGURDSCHÜTZ

MANAGING DIRECTOR RHEWUM



WHY DOES RHEWUM NOW BUILD VIBRATION MOTORS?

As manufacturers of screening machines, apart from our magnetic drives we almost exclusively use vibration motors for our proven RHEWUM® screeners and vibrating machines.

Our extensive experience show: If a single drive on a vibration machine fails, in the worst case the entire production of our customer stands still - and that would directly damage our reputation. Therefore, we only want to use the most durable motors for our machines.

Our goal is to build the best vibration screening machines in the world, for that we need the best unbalance motors in the world. This is why we put our years of experience with screening and motor know-how to good use to make affordable vibration motors even more durable. The result is our line of GeniusDrives.

To monitor the current status of our motors, we developed the GeniusDrivePlus family. Its members help you recognize malfunctions and wear on time and give you the opportunity to take preventative measures before breakdown occurs. Our GeniusDrivePlus motors continually monitor themselves.

These motors are perfectly attuned to our machines and the needs of our discerning customers: Long lived high quality parts, with lower energy consumption.

HOW DO WE DO THIS?

Do not hesitate to ask, we are happy to explain the details.



+49 2191 5767 0



info@geniusdrive.de



www.geniusdrive.de



GeniusDrive® ist eine eingetragene Marke von RHEWUM®

RHEWUM GmbH
Rosentalstraße 24
42899 Remscheid

Postfach 12 05 63
42875 Remscheid
Germany



+49 2191 5767 0



info@geniusdrive.de



www.geniusdrive.de/en

RHEWUM America Inc.
8601 NW 27th St
Suite 051-514285
33122 Doral

RHEWUM India Private Limited
202, Fortune House
S NO.6, Part 1/10,
Baner Pashan Link Road
Pune - 411045
Maharashtra, India



PREVENT PRODUCTION LOSSES

Do you know the condition of your vibrating machine?



+49 2191 5767 0



info@geniusdrive.de



www.geniusdrive.de/en

SUITABLE FOR MOST VIBRATING MACHINES
CALL US!

ENERGY EFFICIENT
POWERFUL
DURABLE
SMART



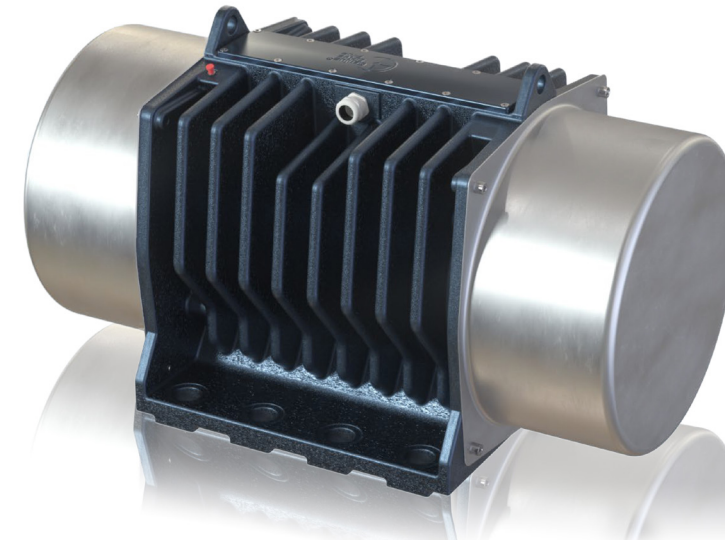
THE WORLD OF GENIUSDRIVE® PLUS

A new generation of vibrating motors

THE GENIUSDRIVEPLUS MOTOR

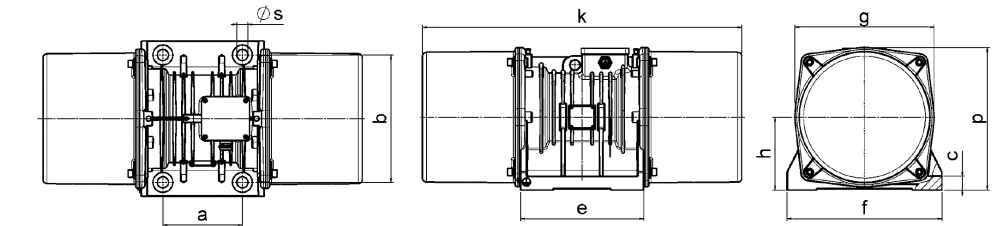
Each GeniusDrivePlus motor is equipped with a micro controller that continuously register and file all vibration relevant data and make an output on demand.

These data can be read through an app or through the Connector, depending on preference. The data is visualized on our web frontend my.geniusdrive.de or directly at the Connector.



GENIUSDRIVE
UNBALANCE MOTORS

VIBRATION MOTOR
MADE BY RHEWUM®



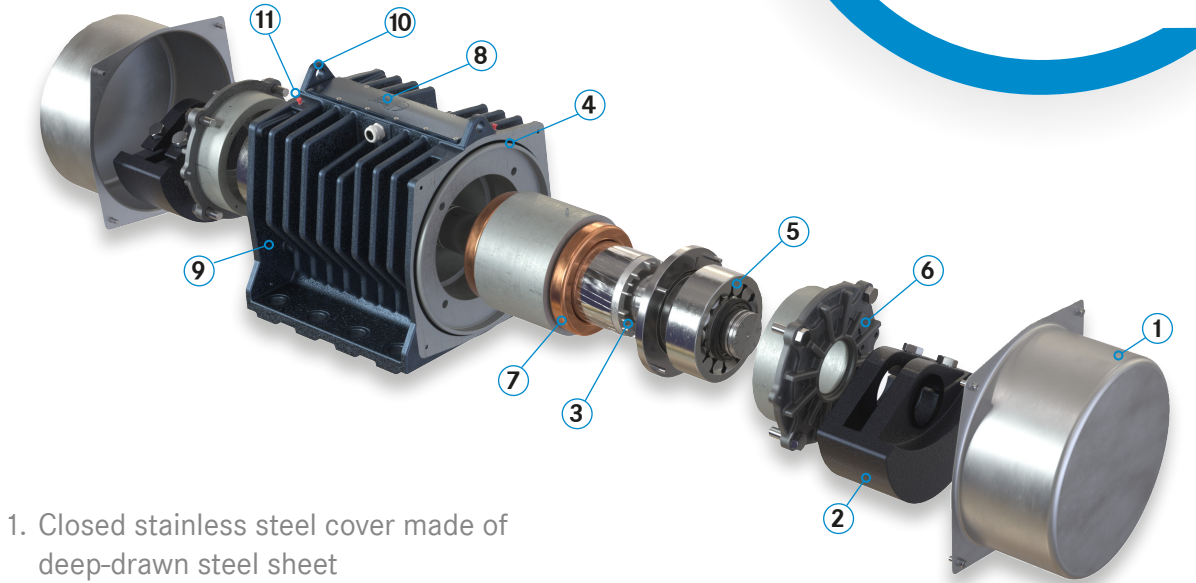
Type	RPM 50/ 60 Hz [min ⁻¹]	Working torque [cmkg]	Centri- fugal F. [kN]	Weight [kg]	Fixture dimensions* [mm]			Base dimensions [mm]			Outer dimensions [mm]			
					a	b	Øs	c	e	f	h	g	p	k
GeniusDrivePlus 95-4	1500/1800	95	12	30	140	190	18	20	200	225	120	230	245	480
GeniusDrivePlus 120-4	1500/1800	120	15	33	140	190	18	20	200	225	120	230	245	480
GeniusDrivePlus 150-4	1500/1800	150	18	35	140	190	18	20	200	225	120	230	245	480
GeniusDrivePlus 200-4	1500/1800	200	25	50	160	230	22	20	260	305	145	280	285	525
GeniusDrivePlus 300-4	1500/1800	300	28	60	160	230	22	20	260	305	145	280	285	525
GeniusDrivePlus 450-4	1500/1800	450	56	95	185	285	26	30	310	385	170	320	330	680
GeniusDrivePlus 500-4	1500/1800	500	65	210	205	325	30	35	320	385	180	350	360	795
GeniusDrivePlus 700-4	1500/1800	700	87	290	205	325	30	35	320	385	180	350	360	795
GeniusDrivePlus 900-4	1500/1800	900	110	390	2x127,5	385	33	35	440	460	215	420	480	885
GeniusDrivePlus 1150-4	1500/1800	1150	138	660	3x137,5	485	45	40	555	570	270	525	595	840
GeniusDrivePlus 95-6	1000/1200	95	5	30	140	190	18	20	200	225	120	230	245	480
GeniusDrivePlus 120-6	1000/1200	120	6	33	140	190	18	20	200	225	120	230	245	480
GeniusDrivePlus 150-6	1000/1200	150	8	35	140	190	18	20	200	225	120	230	245	480
GeniusDrivePlus 200-6	1000/1200	200	11	40	140	190	18	20	200	225	120	230	245	540
GeniusDrivePlus 300-6	1000/1200	300	17	60	160	230	22	20	260	305	145	280	285	525
GeniusDrivePlus 400-6	1000/1200	400	22	70	160	230	22	20	260	305	145	280	285	525
GeniusDrivePlus 600-6	1000/1200	600	32	90	160	230	22	20	260	305	145	280	285	670
GeniusDrivePlus 700-6	1000/1200	700	38	110	185	285	26	30	310	385	170	320	330	680
GeniusDrivePlus 850-6	1000/1200	850	47	125	185	285	26	30	310	385	170	320	330	750
GeniusDrivePlus 935-6	1000/1200	935	52	130	185	285	26	30	310	385	170	320	330	750
GeniusDrivePlus 1000-6	1000/1200	1000	57	250	205	325	30	35	320	385	180	350	360	795
GeniusDrivePlus 1250-6	1000/1200	1250	69	260	205	325	30	35	320	385	180	350	360	795
GeniusDrivePlus 1400-6	1000/1200	1400	79	335	205	325	30	35	320	385	180	350	360	825
GeniusDrivePlus 1600-6	1000/1200	1600	88	345	205	325	30	35	320	385	180	350	360	865
GeniusDrivePlus 1800-6	1000/1200	1800	100	435	2x127,5	385	33	35	440	460	215	420	480	885
GeniusDrivePlus 2000-6	1000/1200	2000	110	450	2x127,5	385	33	35	440	460	215	420	480	885
GeniusDrivePlus 2500-6	1000/1200	2500	135	480	2x127,5	385	33	35	430	460	215	420	480	965
GeniusDrivePlus 3100-6	1000/1200	3100	170	730	3x137,5	485	45	40	555	570	270	525	595	1020
GeniusDrivePlus 3600-6	1000/1200	3600	197	755	3x137,5	485	45	40	555	570	270	525	595	1020
GeniusDrivePlus 95-8	750/900	95	3	30	140	190	18	20	200	225	120	230	245	480
GeniusDrivePlus 120-8	750/900	120	4	33	140	190	18	20	200	225	120	230	245	480
GeniusDrivePlus 150-8	750/900	150	4	35	140	190	18	20	200	225	120	230	245	480
GeniusDrivePlus 200-8	750/900	200	6	40	140	190	18	20	200	225	120	230	245	540
GeniusDrivePlus 300-8	750/900	300	9	60	1600	230	22	20	260	305	145	280	285	525
GeniusDrivePlus 400-8	750/900	400	13	70	160	230	22	20	260	305	145	280	285	525
GeniusDrivePlus 600-8	750/900	600	18	90	160	230	22	20	260	305	145	280	285	670
GeniusDrivePlus 700-8	750/900	700	21	110	185	285	26	30	310	385	170	320	330	680
GeniusDrivePlus 850-8	750/900	850	26	125	185	285	26	30	310	385	170	320	330	750
GeniusDrivePlus 935-8	750/900	935	29	130	185	285	26	30	310	385	170	320	330	750
GeniusDrivePlus 1000-8	750/900	1000	32	250	205	325	30	35	320	385	180	350	360	795
GeniusDrivePlus 1400-8	750/900	1400	44	335	205	325	30	35	320	385	180	350	360	795
GeniusDrivePlus 1600-8	750/900	1600	49	345	205	325	30	35	320	385	180	350	360	825
GeniusDrivePlus 1800-8	750/900	1800	57	435	2x127,5	385	33	35	430	460	215	420	480	865
GeniusDrivePlus 2000-8	750/900	2000	61	450	2x127,5	385	33	35	430	460	215	420	480	885
GeniusDrivePlus 2500-8	750/900	2500	77	480	2x127,5	385	33	35	430	460	215	420	480	965
GeniusDrivePlus 3600-8	750/900	3600	111	755	3x137,5	485	45	40	555	570	270	525	595	1020
GeniusDrivePlus 4300-8	750/900	4300	132	775	3x137,5	485	45	40	555	570	270	525	595	1020

TECHNICAL INFORMATION

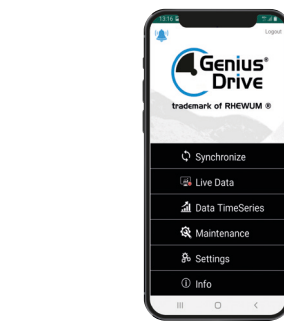
All key components of the GeniusDrive are made in Germany: The stator and its specialized, energy saving winding, the rotor, and of course the bearings. Each vibration motor we produce undergoes a trial run at full load before (even) leaving our construction premises.

The bearings we use are enlarged, specialised cylinder roller bearings made in Germany, with a convex shaped inner ring. This special feature reduces the edge pressure of the bearing which results from the bending of the motor shaft by the unbalance weights, thereby increasing the life of the bearings. The bearings are lubricated with our own highly temperature resistant grease, GeniusGrease 3B.

- All bearings have increased clearance and receive a heat treatment which gives them dimensional stability until 150°C.
- Our bearing cages are made of reinforced polyamide (PA) for temperatures up to 155 °C (insulation class F). The bearings receive fresh lubrication from external grease nipples. Surplus grease is pushed outside and provides an additional barrier towards entering dirt particles.
- Bearings are thoroughly lubricated before leaving the premises. Under difficult operating conditions or in case of continuous operation we recommend relubrication.



1. Closed stainless steel cover made of deep-drawn steel sheet
2. Centrifugal disc with unbalance scale (fitted with circlip)
3. Inside shaft sealing
4. O-ring sealing
5. Cylindrical roller bearing
6. Robust bearing shield
7. Energy efficient winding
8. Electric connection (dust- and water-tight encapsulated terminal box)
9. Robust cast metal casing with cooling ribs
10. Cast-on lifting for easy mounting
11. Grease nipple



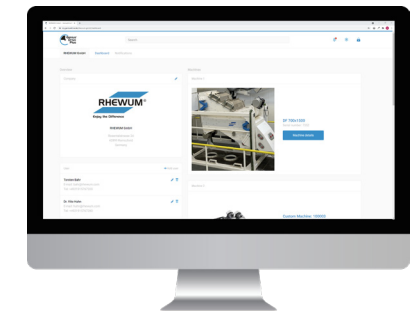
THE SMARTPHONE APP

If you are in close proximity (up to 15 m) to the motor the integrated database of the smartphone app will instantly provide you with access to all currently as well as historical motor data. Via an internet connection you will receive alerts and other helpful information in case the motor is outside it's usual parameters.



THE CONNECTOR

The Connector is installed in close proximity (up to 15 m) to the motor. A wireless connection enables a parallel monitoring of up to 6 motors. The Connector does not only visualizes the data, but provides also them in various formats to superordinate process control systems.



MY.GENIUSDRIVE.DE

The portal my.geniusdrive.de allows you to continuously monitor the data of all GeniusDrive motors at a single location even from outside the production area. All relevant data, including lubrication intervals, are accessible through the internet with ordinary web browsers.



registered trade mark of RHEWUM®



long lasting



reliable



powerful



durable



energy efficient



registered trade mark of RHEWUM®